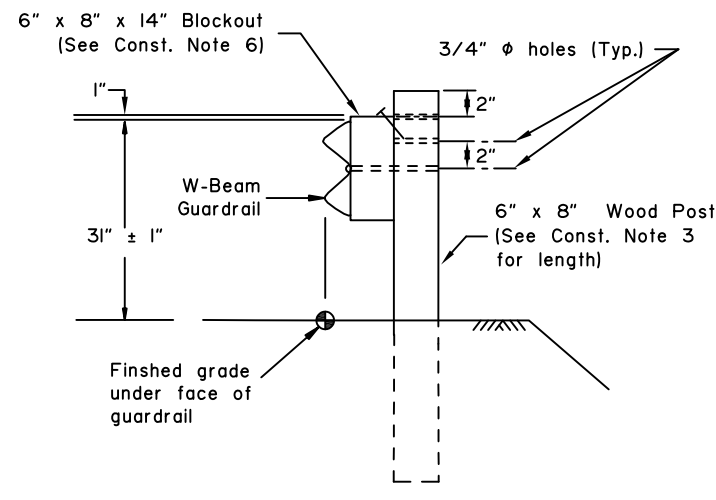
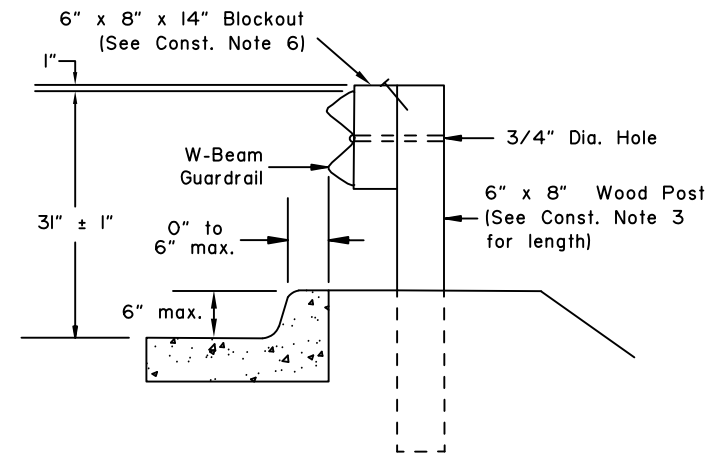


TYPE I POST INSTALLATION

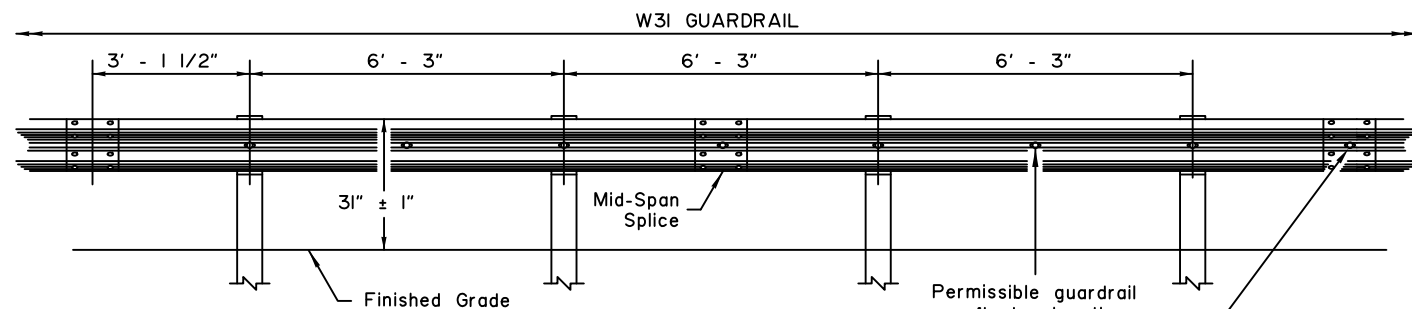


TYPE II POST INSTALLATION

(Facilitates raising rail for future overlays.)

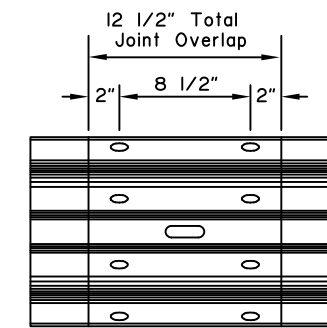


TYPE III POST INSTALLATION



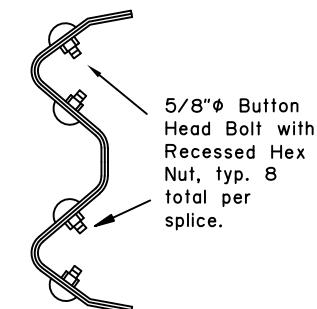
TYPICAL ELEVATION

Permissible guardrail reflector locations (must be mid-span)

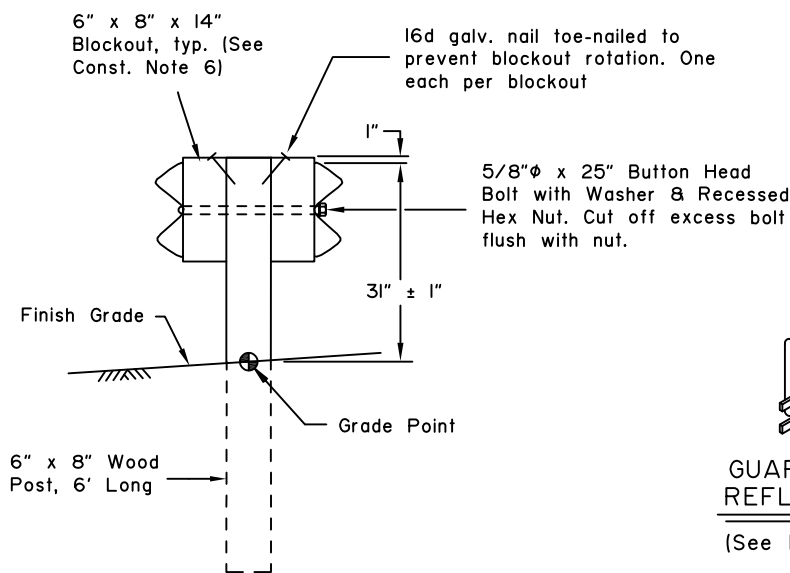


SPLICE DETAIL

(At mid-span between posts only. Bolts not shown for clarity.)



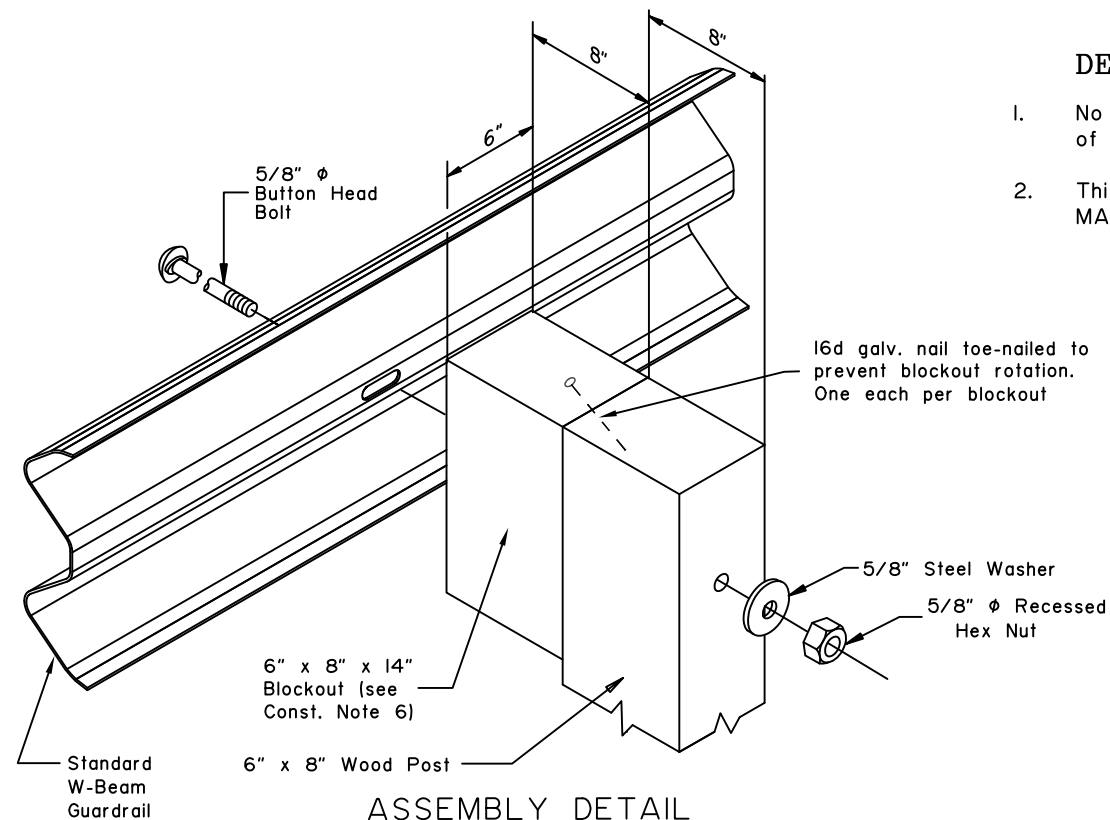
SPLICE CROSS-SECTION



TYPE IV DOUBLE SIDED INSTALLATION



GUARDRAIL REFLECTOR  
(See Note 5)



ASSEMBLY DETAIL

(Type I post shown)

CONSTRUCTION NOTES:

1. Provide hardware compliant with the Task Force 13 (TF13) Guide to Standardized Roadside Safety Hardware.
2. See Standard Plan G-00 for hardware details.
3. See Standard Plan G-10 for post lengths corresponding to different combinations of slope and behind-post embankment width.
4. Typical post spacing is 6'-3" center to center.
5. Attach guardrail reflector using a 5/8" button head bolt with 5/8" recessed head hex nut and steel washer at the location shown on the Typical Elevation. Install reflectors every 25' on tangents and every 12.5' on curves starting 100' before the P.C. and ending 100' after the P.T.
6. Use wood blockouts designed, tested, and passed per MASH to be used with wood posts.
7. Use 25 linear foot transition panel to match differing height of existing or new rail elements and end treatments. See Standard Plan G-11.
8. Install flexible delineators on guardrail posts when called for in the contract. See Standard Plan G-00 for guardrail flexible delineator details.

DESIGN NOTES:

1. No fixed objects allowed within 36" of the back side of guardrail post.
2. This barrier is acceptable under MASH tests 3-10 and 3-11.

State of Alaska DOT&PF  
ALASKA STANDARD PLAN  
WOOD POST W31  
GUARDRAIL  
*Carolyn Morehouse*  
Adopted as an Alaska Standard Plan By: \_\_\_\_\_  
Carolyn Morehouse, P.E.  
Chief Engineer  
Adoption Date: 05/10/2019  
Last Code and Stds. Review By: \_\_\_\_\_ Date: \_\_\_\_\_  
Next Code and Standards Review date: 05/10/2029