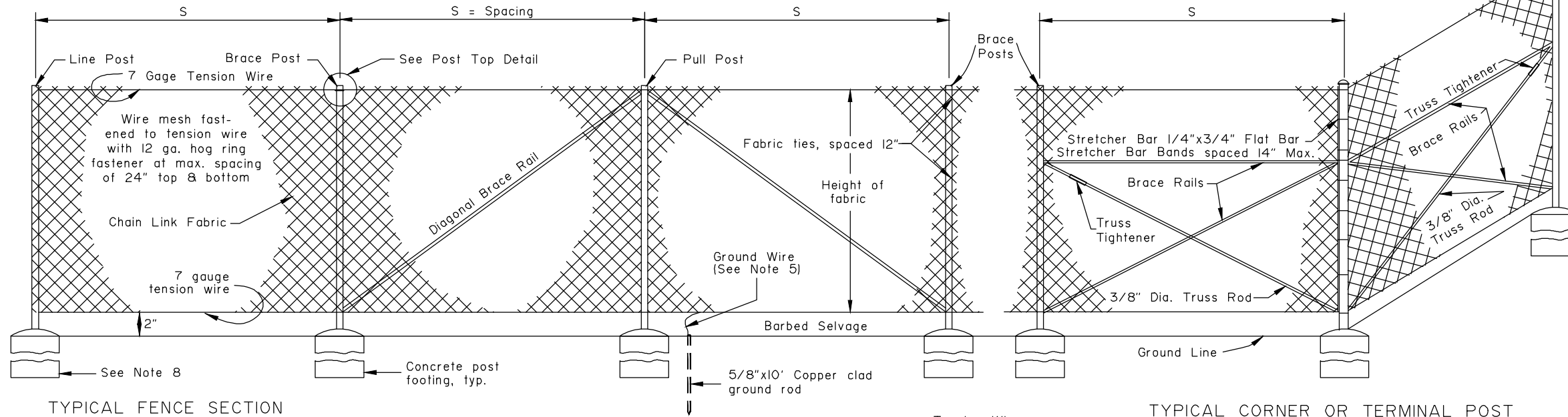


NOTE: Pull post shall be spaced at 250' maximum intervals.

Fabric shall be placed on highway side of post.



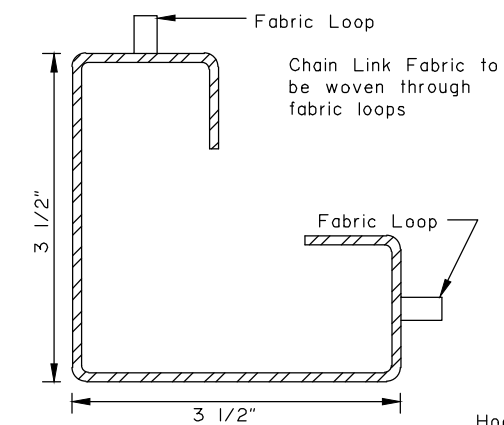
GENERAL NOTES:

1. Use equal pole spacing (S). Maximum pole spacing is 10 feet unless directed otherwise by the Engineer.
2. Securely fasten post tops to post.
3. Securely fasten brace rails and truss rods to post with brace bands.
4. Provide truss rods with a tensioning adjusting mechanism.
5. Attach ground wire to fence fabric with a split bolt.
6. Stretch fabric to a smooth uniform appearance.
7. Details shown indicate general design and dimensions may vary among manufacturers.
8. Set line, pull, corner, and terminal posts in concrete footings unless in muskeg or shown otherwise in the plans.

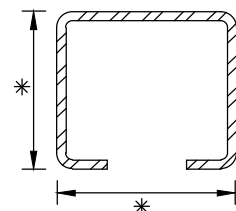
TYPICAL FENCE SECTION

TYPICAL PULL POST

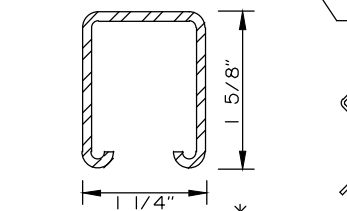
TYPICAL CORNER OR TERMINAL POST



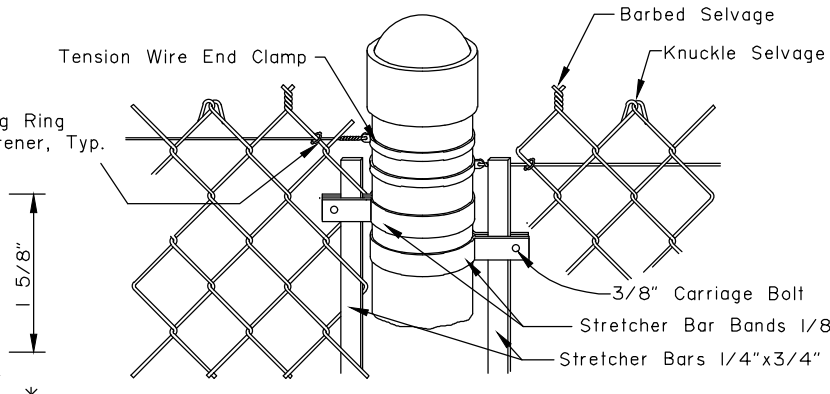
ROLL FORMED POST



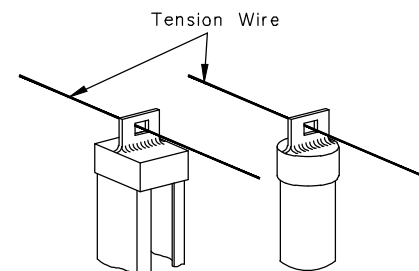
C POST



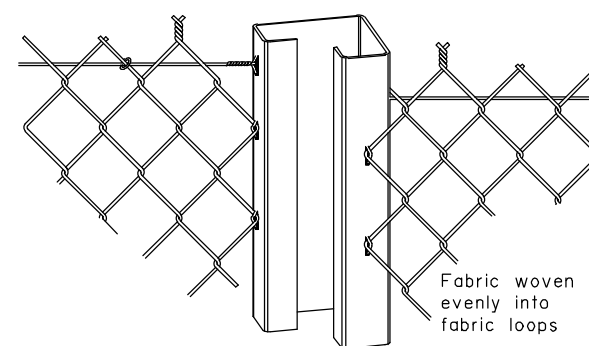
ROLL FORMED BRACE



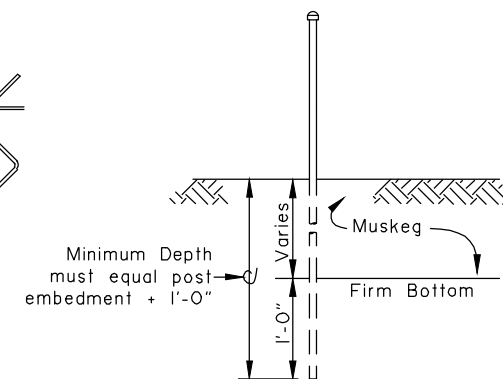
PIPE STYLE POST TOP



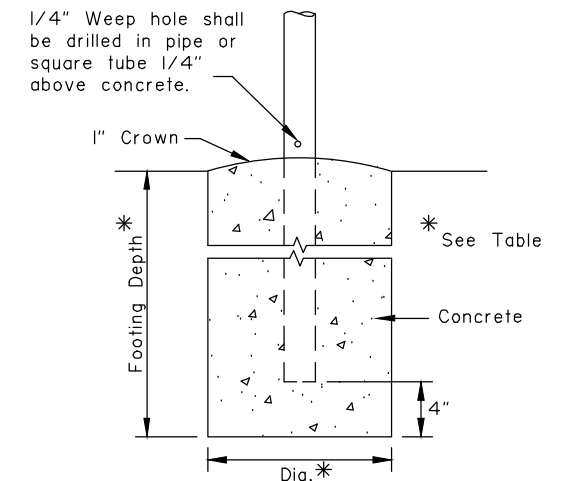
LINE POST TOPS



ROLL FORMED POST TOP

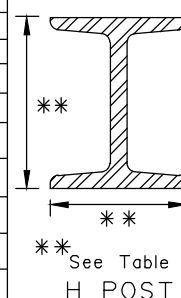


POST SETTING IN MUSKEG AREAS



CONCRETE POST FOOTING

FABRIC HEIGHT	POST										TOP OR BRACE RAIL						ALTERNATE POST					
	END-CORNER-PULL					LINE-BRACE					PIPE			ROLL FORMED			H POST		LINE-BRACE			
	PIPE SIZE	WT./FT.	SQUARE TUBE SIZE	WT./FT.	ROLL FORMED SIZE	WT./FT.	FOOTING DEPTH	DIA.	PIPE SIZE	WT./FT.	C POST SIZE	WT./FT.	FOOTING DEPTH	DIA.	PIPE SIZE	WT./FT.	ROLL FORMED SIZE	WT./FT.	H POST SIZE	WT./FT.	LINE-BRACE SIZE	WT./FT.
3'	2"	3.65 #	2" x 2"	4.31 #	3 1/2"x3 1/2"	4.84 #	40"	10"	1 1/2"	2.72 #	1 7/8"x1 5/8"	2.28 #	28"	10"	1 1/4"	2.27 #	1 5/8"	1.35 #	1 1/2"x 1 5/16"	2.27 #	1 7/8"x1 5/8"	2.72 #
4'	"	"	"	"	"	"	"	"	"	"	"	"	"	"	"	"	"	"	"	"	"	"
5'	2"	3.65 #	2" x 2"	4.31 #	3 1/2"x3 1/2"	4.84 #	40"	10"	1 1/2"	2.72 #	1 7/8"x1 5/8"	2.28 #	28"	10"	"	"	"	"	"	"	1 7/8"x1 5/8"	2.72 #
6'	2 1/2"	5.79 #	2 1/2"x2 1/2"	5.59 #	3 1/2"x3 1/2"	4.84 #	48"	15"	2"	3.65 #	2 1/4"x1 45/64"	2.64 #	40"	12"	"	"	"	"	"	"	2 1/4"x2"	4.1 #
7'	"	"	"	"	"	"	"	"	"	"	"	"	"	"	"	"	"	"	"	"	"	"
8'	2 1/2"	5.79 #	2 1/2"x2 1/2"	5.59 #	3 1/2"x3 1/2"	4.84 #	48"	15"	2"	3.65 #	2 1/4"x1 45/64"	2.64 #	40"	12"	"	"	"	"	"	"	2 1/4"x2"	4.1 #



** See Table H POST

State of Alaska DOT&PF
ALASKA STANDARD PLAN
CHAIN LINK FENCE

Adopted as an Alaska Standard Plan by: *Carolyn Morehouse*
Carolyn Morehouse, P.E.
Chief Engineer

Adoption Date: 7/17/2020

Last Code and Stds. Review
By: KLH Date: 7/8/2020

Next Code and Standards Review date: 7/8/2030